

**Mono-Systems, Inc.**  
**AdvanceWay™**

SCALE: NONE

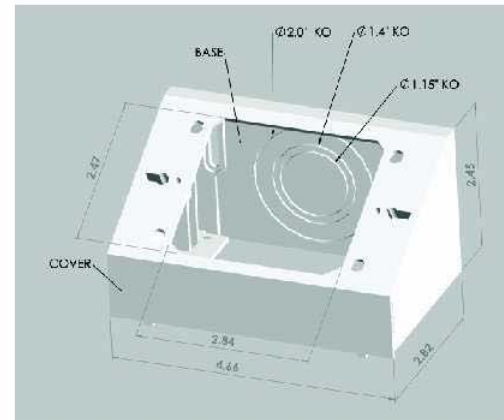
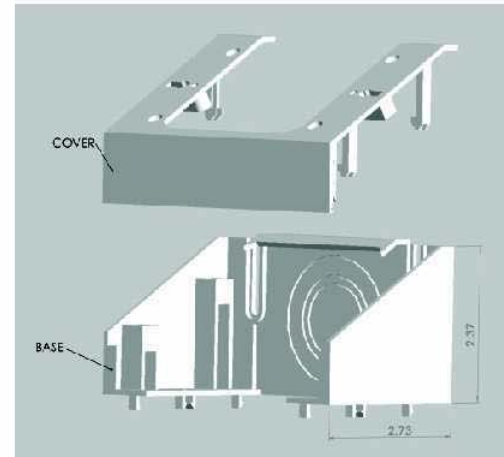
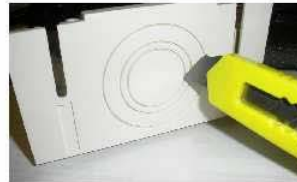
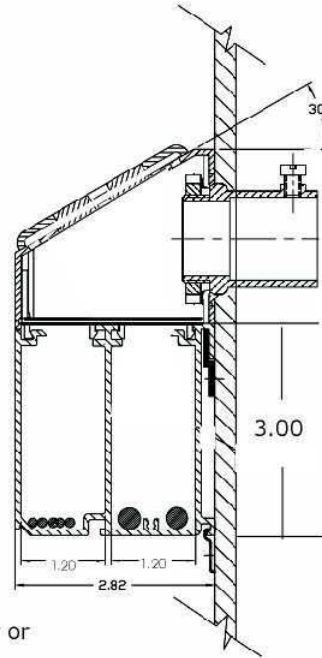
**PART # AW33DB-\* DEVICE BOX  
(AS A ENTRANCE END)**

(ADD "-A" SUFFIX TO SPECIFY ALMOND)

(ADD "-W" SUFFIX TO SPECIFY WHITE)

Assembly Instructions

- 1) The AW33DB-\* serves as an entrance end.
- 2) The fitting base has three concentric knockouts that will accommodate .75", 1" and 1.5" diameter conduits. Cut KO's using a sharp knife prior to removal. Push out KO's using a 1.10", 1.35" or 2" round metal dowel with a hammer or use a knockout punch kit.
- 3) Secure the AW33DB-\* as indicated above, with consideration for the compartment being services.
- 4) Connect the conduits as desired.
- 5) Snap fitting cover onto the fitting base.



MATERIAL ABS UL94VO



**MONO-SYSTEMS, INC.**  
UNIQUE CABLE DISTRIBUTION SOLUTIONS  
4 INTERNATIONAL DRIVE  
RYE BROOK, NEW YORK 10573  
PHONE: (914)-934-2075  
FAX: (914)-934-2190

02/09/2009 DOCUMENT REF. NO.: AW33DB-\*